

5mm x 20mm Fuses
S504 Series, Time Delay, Glass Tube

Description

- Time delay, low breaking capacity
- 5mm x 20mm physical size
- Glass tube, nickel-plated brass endcap construction
- Optional axial leads are .032" x 1.5" copper tinned
- Designed to IEC 60127-2 (50mA-6.3A)



S504 ELECTRICAL CHARACTERISTICS								
In	2.1 In		2.75 In		4 In		10 In	
	max	min	max	min	max	min	max	
32mA-100mA	2 min	200 ms	10 sec	40 ms	3 sec	10 ms	300 ms	
125mA-6.3A	2 min	600 ms	10 sec	150 ms	3 sec	20 ms	300 ms	

Ordering

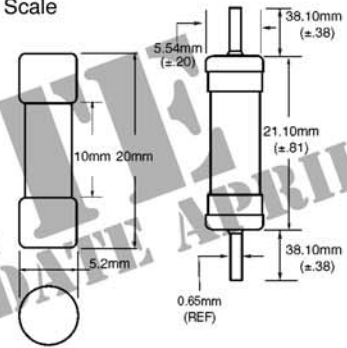
- Specify product code, option code and packaging code

Agency Information

- UL Recognized Card: (32mA-3.15A) Guide JDYX2, File E19180
- Semko Approval, 32mA-6.3A
- VDE Approval, 32mA-5A
- BSI Approval, 32mA-6.3A
- IMQ Approval, 32mA-6.3A
- MITI Approval, 1A-6.3A

Dimensions

Drawing Not to Scale



- Ratings above 6.3A have a 0.8mm diameter lead
- With TR2 packaging code, lead wire length is 19.05mm

SPECIFICATIONS

Product Code	Voltage Rating	Interrupting Rating	Typical DC	Typical	Typical
	AC	at Rated Voltage (50Hz)	Cold Resistance	Melting I ² t (A ² Sec)	Voltage Drop (mV)‡
	AC	AC	(ohms)*	AC†	
S504-32mA	250V	35A	21.7	0.0014	1050
S504-40mA	250V	35A	14.2	0.0034	920
S504-50mA	250V	35A	9.5	0.006	800
S504-63mA	250V	35A	7.1	0.012	760
S504-80mA	250V	35A	4.5	0.015	580
S504-100mA	250V	35A	2.8	0.022	490
S504-125mA	250V	35A	2.0	0.034	390
S504-160mA	250V	35A	1.3	0.052	320
S504-200mA	250V	35A	1.0	0.078	340
S504-250mA	250V	35A	0.66	0.17	270
S504-315mA	250V	35A	0.46	0.41	250
S504-400mA	250V	35A	0.37	0.61	210
S504-500mA	250V	35A	0.27	0.75	168
S504-630mA	250V	35A	0.19	1.3	158
S504-800mA	250V	35A	0.13	3.1	132
S504-1A	250V	35A	0.064	3.6	85
S504-1.25A	250V	35A	0.046	7	80
S504-1.6A	250V	35A	0.039	10	80
S504-2A	250V	35A	0.029	17	80
S504-2.5A	250V	35A	0.024	34	80
S504-3.15A	250V	35A	0.018	56	75
S504-4A	250V	35A	0.013	91	75
S504-5A	250V	35A	0.0095	133	75
S504-6.3A	250V	35A	0.0085	270	65

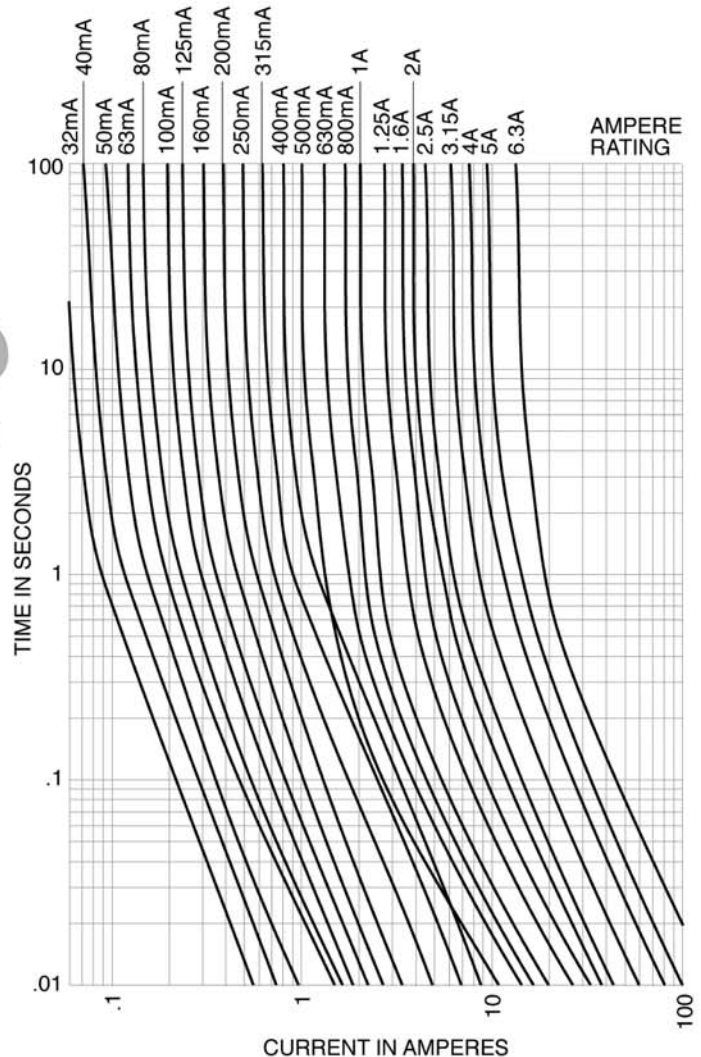
* DC Cold Resistance (Measured at <10% of rated current)
 † Typical Melting I²t (I²t was measured at listed interrupting rating and rated voltage)
 ‡ Maximum Voltage Drop (Voltage drop was measured at 20°C ambient temperature at rated current)

OBSOLETE

JUNE 30, 2009
(LAST ORDER DATE
APRIL 30, 2009)

RECOMMENDED
REPLACEMENT
S506 SERIES

TIME CURRENT CURVE
Time-Current Characteristic Curves—Average Melt



OPTION CODE	
Option Code	Description
V	Axial leads - copper tinned wire with nickel plated brass overcaps

PACKAGING CODE	
Packaging Code	Description
BK	100 pieces of fuses packed into a cardboard carton
BK1	1,000 pieces of fuses packed into a poly bag
TR2	1,500 pieces of fuses packed into tape on a reel (19.05mm lead wire length)